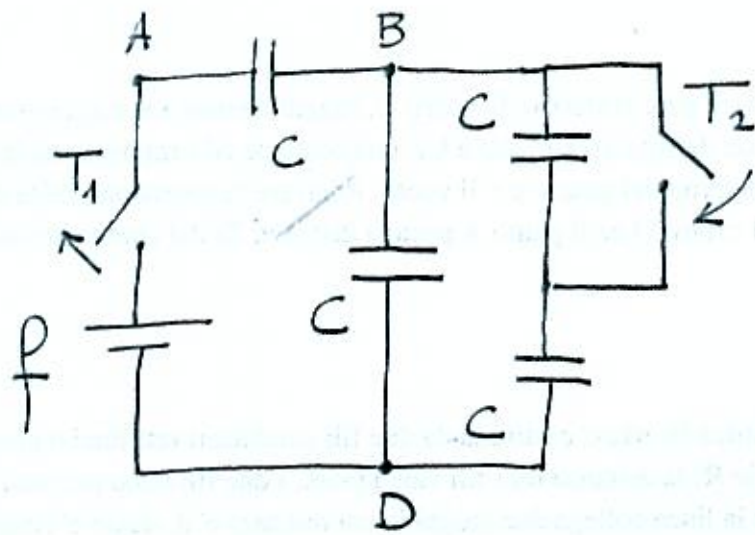


Figure:

3.



4.

